

# TINO

*Tino redefines the way light brightens your workspace. With several mounting options available, including attaching to a monitor, it frees up your desktop area. Although small, Tino is powerful—projecting up to 100 footcandles-worth of illumination, a full foot forward from its base—or lack thereof. **Proudly designed and manufactured in Grand Haven, Michigan.***

## Mounting Options

*Freestanding base  
Monitor mount  
Surface mount  
Clamp mount  
Slat Wall mount  
Panel mount  
Rail mount  
Divider mount*



# TINO

## Features

- Asymmetrical illumination projects light up to 1' forward from fixture head
- Available in 34 colors and multiple mounting options
- Continuous dimming from 100%–15% with last state memory
- Occupancy sensor that turns the fixture off after 30 minutes of inactivity and back on as the user re-enters the workspace

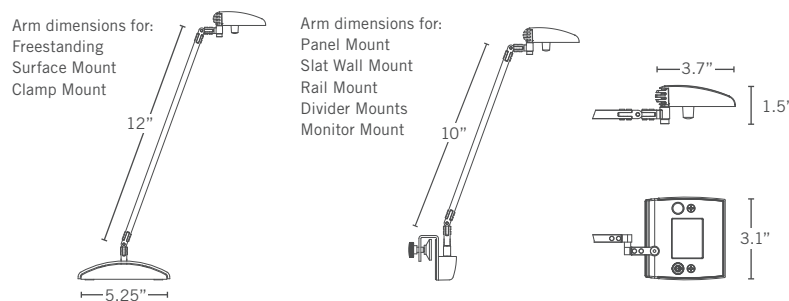
## Specifications

<b>Power consumption:</b>	3.9 system watts
<b>Color temperature:</b>	3500K
<b>Luminosity:</b>	200 lumens
<b>Efficacy:</b>	52 Lm/W
<b>Color rendering index:</b>	82 CRI
<b>Rated lifespan:</b>	> 50,000 hours
<b>Number of LEDs:</b>	7 fractional LEDs
<b>Cord:</b>	4' quick connect in silver
<b>Power supply:</b>	9' (18W) black cord

## Finishes



## Dimensions



# TINO

## Photometric Data

---

Footcandle outputs measured at 15" from the work surface.

	12"	6"	3"	CL	3"	6"	12"
20"	6	10	11	12	11	9	6
14"	15	32	40	46	40	30	14
8"	26	75	95	<b>100</b>	95	74	24
5"	26	70	86	89	84	67	22
CL	11	27	35	38	33	24	10

## Sustainability Notes

---

- Made with fully-recyclable aluminum, zinc and plastic
- Energy-saving features such as auto shut-off, dimming and occupancy sensor
- Lower power consumption
- Mercury-free
- Potential LEED points: **Interior Lighting** (possible 2 points), **Interior Lighting Controls** (possible 1 point). For more LEED information please visit <https://new.usgbc.org/leed-v41>

## Certifications

---



ETL listed: compliant to UL 153/8750 & CSA C22.2 No. 250.4; FCC Part 15 Class B; TAA; BAA; CEC Title 20

## Warranty

---

The Tino fixture is warranted for a period of 10 years. Tino power supplies are warranted for 5 years.